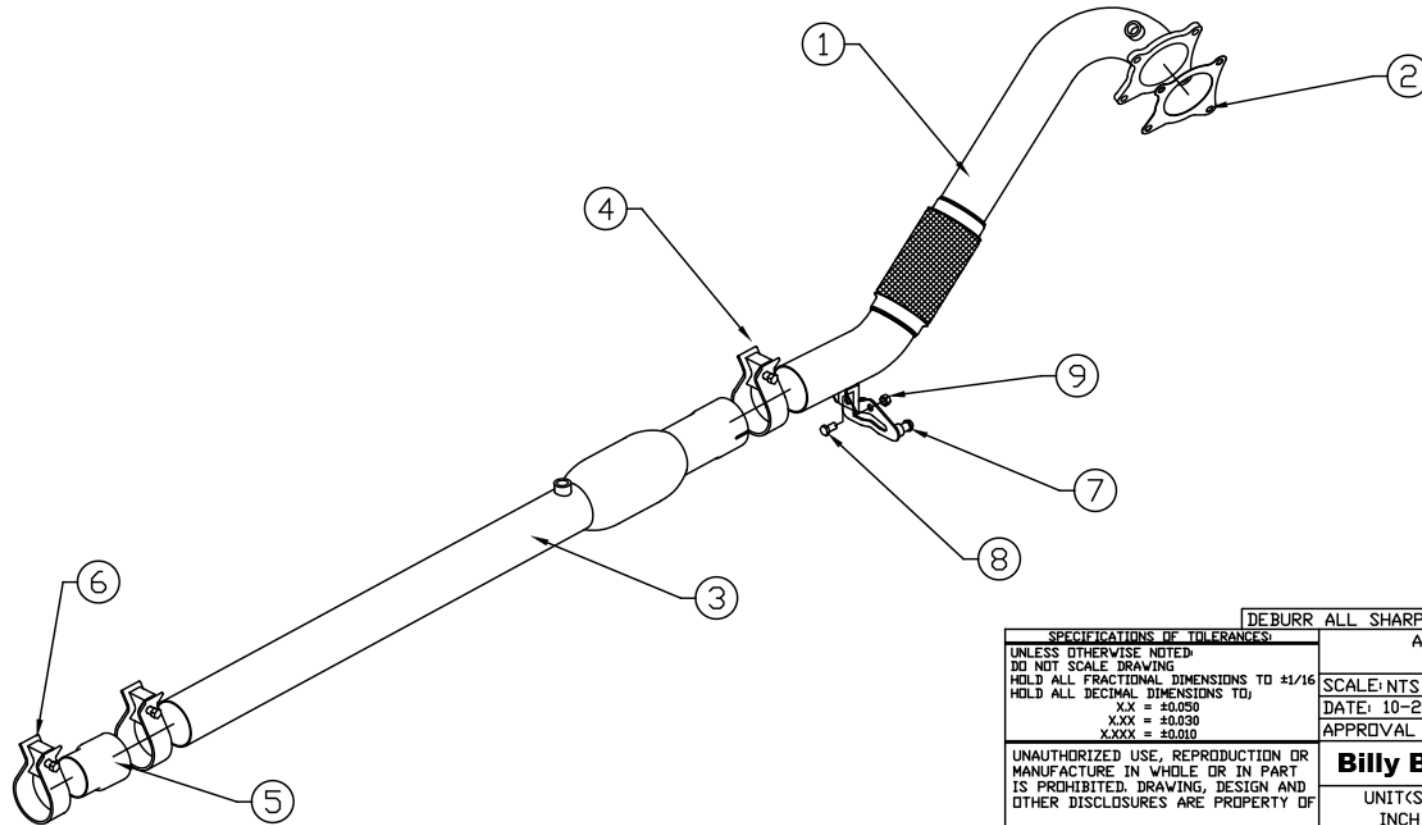


## BILL OF MATERIALS

ITEM	QTY.	U/M	PACKING	ISP	INT	DESCRIPTION
1	1	EA				DOWNPIPE SECTION
2	1	EA				GASKET- 3" 4-BOLT
3	1	EA				CAT SECTION
4	2	EA				CLAMP- 3" BAND
5	1	EA				ADAPTOR 2 3/8" TO 3" I.D.
6	1	EA				CLAMP- 2 1/4" BAND SPECIAL
7	1	EA				LOWER HANGER
8	1	EA				BOLT 3/8-16 x 3/4
9	1	EA				NUT 3/8-16 STOVER LOCK



DEBURR ALL SHARP EDGES    REV.    DATE    E.C.N. NO.    BY

**SPECIFICATIONS OF TOLERANCES:**  
 UNLESS OTHERWISE NOTED:  
 DO NOT SCALE DRAWING  
 HOLD ALL FRACTIONAL DIMENSIONS TO ±1/16  
 HOLD ALL DECIMAL DIMENSIONS TO:  
     XX = ±0.050  
     XXX = ±0.030  
     XXX = ±0.010

UNAUTHORIZED USE, REPRODUCTION OR  
 MANUFACTURE IN WHOLE OR IN PART  
 IS PROHIBITED. DRAWING, DESIGN AND  
 OTHER DISCLOSURES ARE PROPERTY OF

**AUDI A3 QUATTRO 2.0T DOWNPIPE**

SCALE: NTS	DWN: AWL
DATE: 10-20-16	SHT: 1 OF 1
APPROVAL DATE:	APPROVED BY:

**Billy Boat Performance Exhaust**

UNIT(S) INCH	JOB NUMBER:	DRAWING NO. FPIM0478
-----------------	-------------	-------------------------