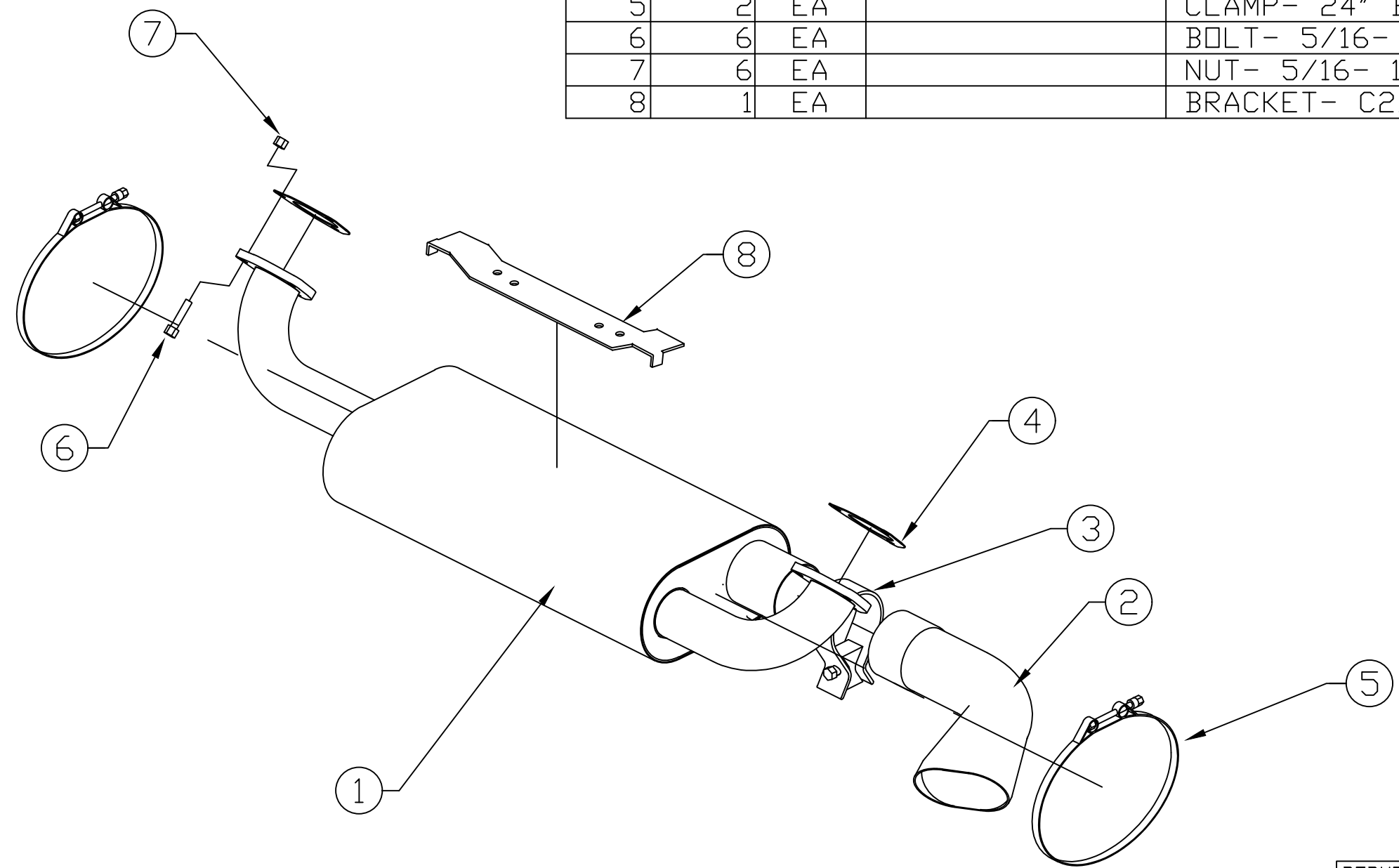


10 9 8 7 6 5 4 3 2 1

BILL OF MATERIALS

ITEM	QTY.	U/M	PACKING	ISP	INT	DESCRIPTION
1	1	EA				MUFFLER SECTION
2	1	EA				TIP SECTION
3	1	EA				CLAMP- 3.00" BAND
4	2	EA				GASKET- 2.25" 3-BOLT
5	2	EA				CLAMP- 24" BAND
6	6	EA				BOLT- 5/16- 18 x 1.25
7	6	EA				NUT- 5/16- 18 STOVER LOCK
8	1	EA				BRACKET- C2/4 MUFFLER



DEBURR ALL SHARP EDGES

SPECIFICATIONS OF TOLERANCES:
 UNLESS OTHERWISE NOTED:
 DO NOT SCALE DRAWING
 HOLD ALL FRACTIONAL DIMENSIONS TO ±1/16
 HOLD ALL DECIMAL DIMENSIONS TO:
 .X.X = ±0.050
 .X.XX = ±0.030
 .X.XXX = ±0.010

C2/4 MUFFLER B&B W/ SGL 3.0" TIP

SCALE: NTS	DWN: JJY
DATE: 11-13-03	SHT: 1 OF 1
APPROVAL DATE:	APPROVED BY:

Billy Boat Performance Exhaust

UNIT(S) INCH	JOB NUMBER:	DRAWING NO. FPOR0650
-----------------	-------------	-------------------------

10 9 8 7 6 5 4 3 2 1