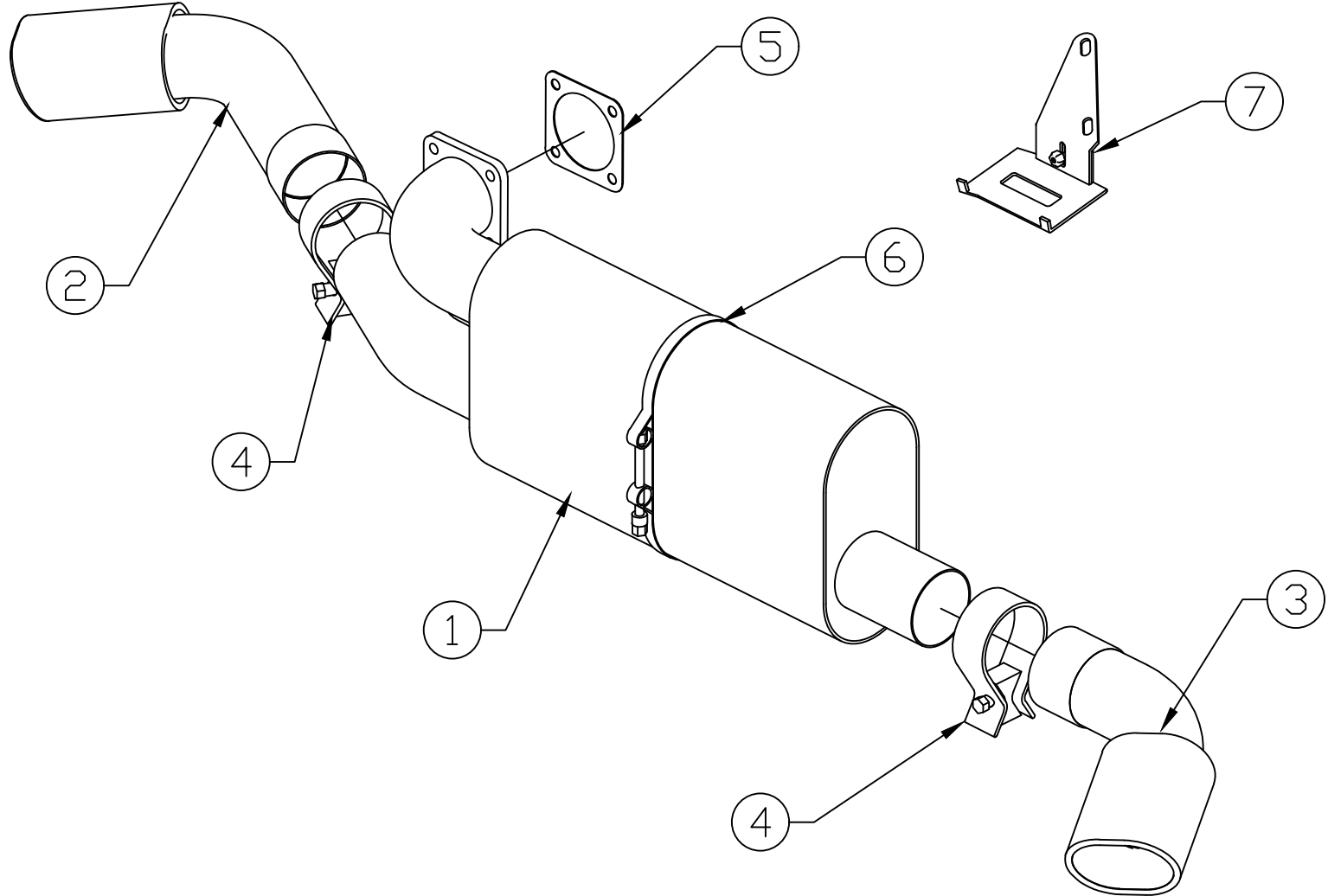


10 9 8 7 6 5 4 3 2 1

BILL OF MATERIALS

ITEM	QTY.	U/M	PACKING	ISP	INT	DESCRIPTION
1	1	EA				MUFFLER SECTION
2	2	EA				DRIVER SIDE TIP SECTION
3	1	EA				PASSENGER SIDE TIP SECTION
4	2	EA				CLAMP- 3.00" BAND
5	1	EA				GASKET- 3.00" 4-BOLT
6	1	EA				CLAMP- 24" T-BOLT
7	1	EA				BRACKET- 930/911
8						



DEBURR ALL SHARP EDGES	REV.	DATE	E.C.N. NO.	BY
------------------------	------	------	------------	----

SPECIFICATIONS OF TOLERANCES:
 UNLESS OTHERWISE NOTED:
 DO NOT SCALE DRAWING
 HOLD ALL FRACTIONAL DIMENSIONS TO ±1/16
 HOLD ALL DECIMAL DIMENSIONS TO:
 X.X = ±0.050
 X.XX = ±0.030
 X.XXX = ±0.010

930/911 TURBO MUFFLER W/ TWIN 4.5		
SCALE: NTS		DWN: JJY
DATE: 10-29-03		SHT: 1 OF 1
APPROVAL DATE:	APPROVED BY:	

UNAUTHORIZED USE, REPRODUCTION OR
 MANUFACTURE IN WHOLE OR IN PART
 IS PROHIBITED. DRAWING, DESIGN AND
 OTHER DISCLOSURES ARE PROPERTY OF
 BILLY BOAT PERFORMANCE EXHAUST

Billy Boat Performance Exhaust		
UNIT(S) INCH	JOB NUMBER:	DRAWING NO. FPOR0215

10 9 8 7 6 5 4 3 2 1