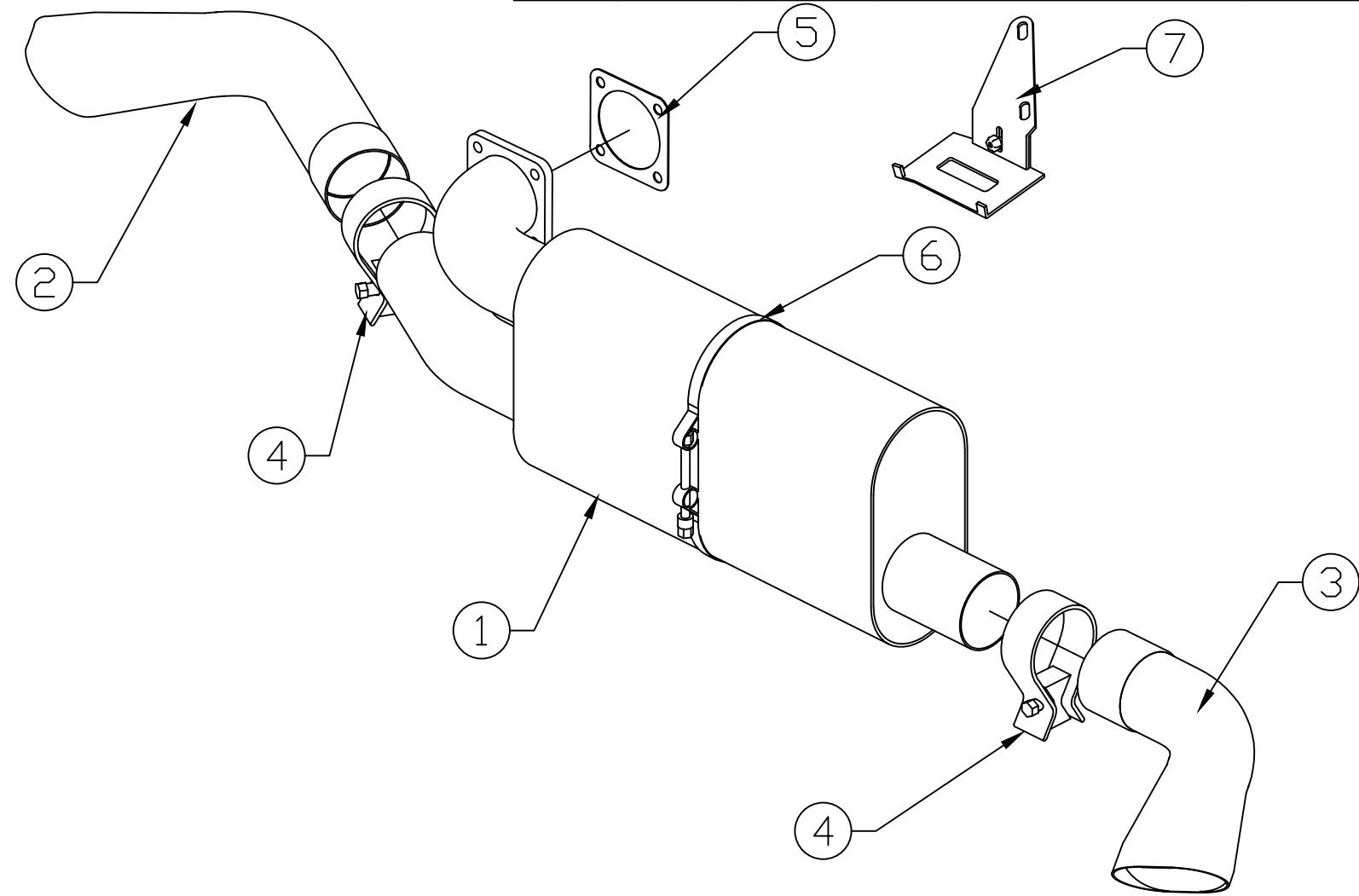


10 9 8 7 6 5 4 3 2 1

BILL OF MATERIALS

ITEM	QTY.	U/M	PACKING	ISP	INT	DESCRIPTION
1	1	EA				MUFFLER SECTION
2	2	EA				DRIVER SIDE TIP SECTION
3	1	EA				PASSENGER SIDE TIP SECTION
4	2	EA				CLAMP- 3.00" BAND
5	1	EA				GASKET- 3.00" 4-BOLT
6	1	EA				CLAMP- 24" T-BOLT
7	1	EA				BRACKET- 930/911
8						



DEBURR ALL SHARP EDGES

REV.	DATE	E.C.N. NO.	BY

**SPECIFICATIONS OF TOLERANCES:**  
 UNLESS OTHERWISE NOTED:  
 DO NOT SCALE DRAWING  
 HOLD ALL FRACTIONAL DIMENSIONS TO ±1/16  
 HOLD ALL DECIMAL DIMENSIONS TO:  
 .XX = ±0.050  
 .XXX = ±0.030  
 .XXX = ±0.010

930/911 TURBO MUFFLER W/ TWIN 3.0

SCALE: NTS	DWN: JJY
DATE: 10-29-03	SHT: 1 OF 1
APPROVAL DATE:	APPROVED BY:

UNAUTHORIZED USE, REPRODUCTION OR MANUFACTURE IN WHOLE OR IN PART IS PROHIBITED. DRAWING, DESIGN AND OTHER DISCLOSURES ARE PROPERTY OF BILLY BOAT PERFORMANCE EXHAUST

**Billy Boat Performance Exhaust**

UNIT(S) INCH	JOB NUMBER:	DRAWING NO. FPDR0210
-----------------	-------------	-------------------------

10 9 8 7 6 5 4 3 2 1