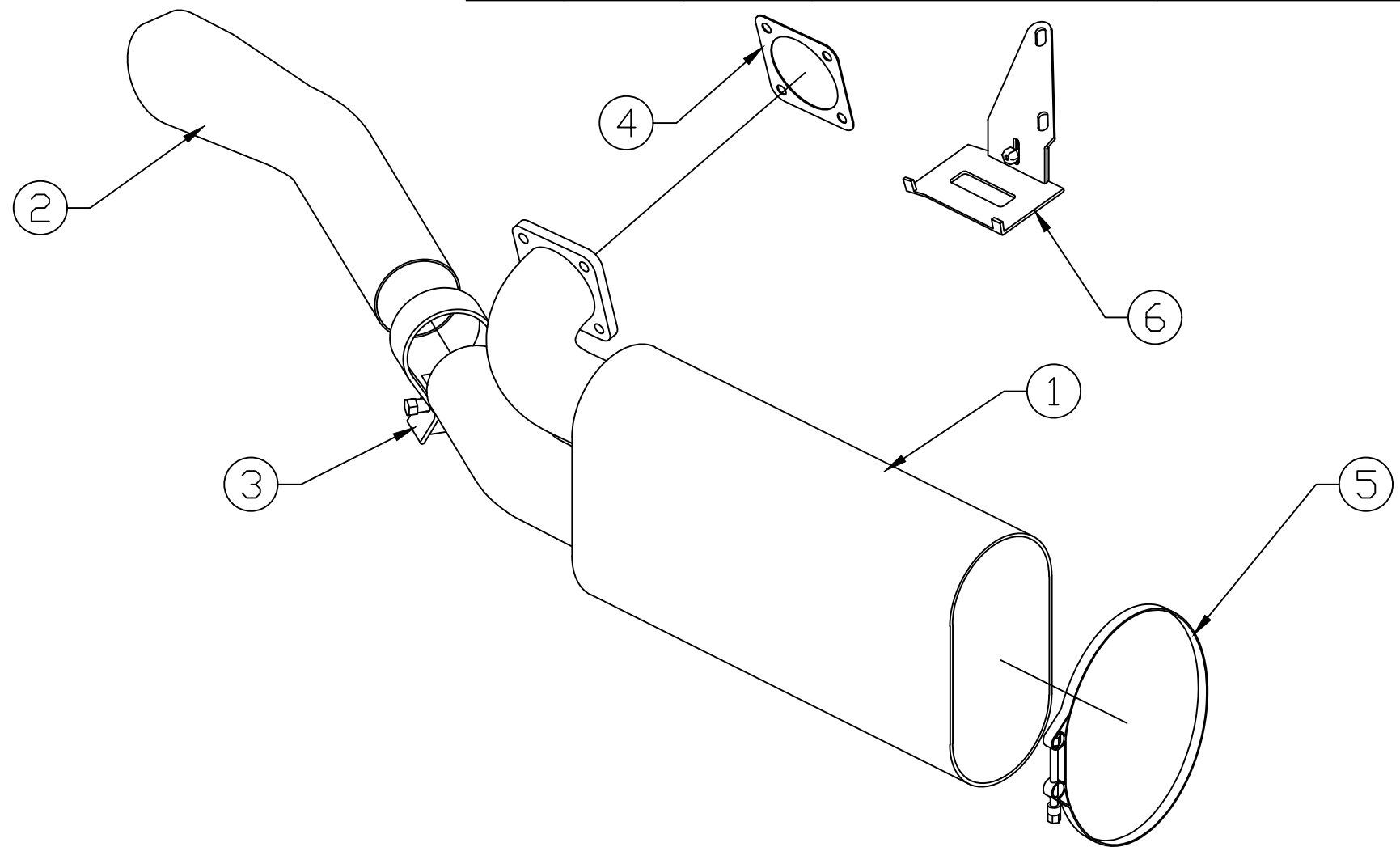


10 9 8 7 6 5 4 3 2 1

BILL OF MATERIALS

ITEM	QTY.	U/M	PACKING	ISP	INT	DESCRIPTION
1	1	EA				MUFFLER SECTION
2	1	EA				TIP PIPE
3	1	EA				CLAMP- 3.00" BAND
4	1	EA				GASKET- 3.00" 4-BOLT
5	1	EA				CLAMP- 24" T-BOLT
6	1	EA				BRACKET- 930/911 TURBO
7						
8						



DEBURR ALL SHARP EDGES

SPECIFICATIONS OF TOLERANCES:
 UNLESS OTHERWISE NOTED:
 DO NOT SCALE DRAWING
 HOLD ALL FRACTIONAL DIMENSIONS TO $\pm 1/16$
 HOLD ALL DECIMAL DIMENSIONS TO:
 X.X = ± 0.050
 X.XX = ± 0.030
 X.XXX = ± 0.010

UNAUTHORIZED USE, REPRODUCTION OR
 MANUFACTURE IN WHOLE OR IN PART
 IS PROHIBITED. DRAWING, DESIGN AND
 OTHER DISCLOSURES ARE PROPERTY OF
 BILLY BOAT PERFORMANCE EXHAUST

930/911 TURBO MUFFLER W/ SINGLE 3.0"

REV.	DATE	E.C.N. NO.	BY

SCALE: NTS
 DATE: 10-23-03
 APPROVAL DATE: _____ APPROVED BY: _____

DWN: JJY
 SHT: 1 OF 1

Billy Boat Performance Exhaust

UNIT(S) INCH	JOB NUMBER:	DRAWING NO. FPOR0200

10 9 8 7 6 5 4 3 2 1