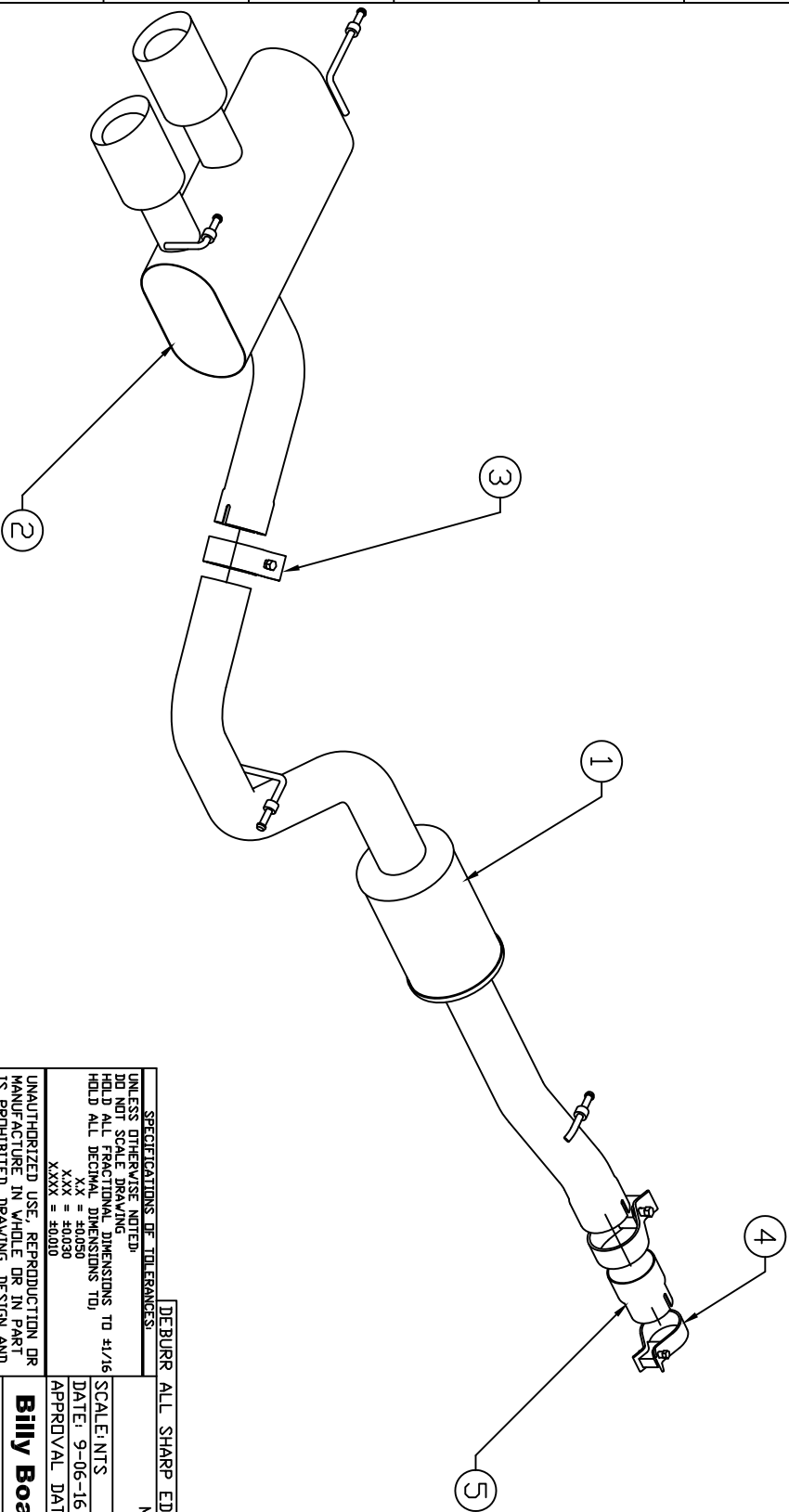


BILL OF MATERIALS

ITEM	QTY.	U/M	PACKING	ISP	INT	DESCRIPTION
1	1	EA				CENTER MUFFLER SECTION
2	1	EA				REAR MUFFLER SECTION
3	2	EA				CLAMP - 3" BAND
4	1	EA				CLAMP-SPECIAL
5	1	EA				ADAPTOR
6						
7						
8						



SPECIFICATIONS OF TOLERANCES:

UNLESS OTHERWISE NOTED:
 DO NOT SCALE DRAWING.
 HOLD ALL FRACTIONAL DIMENSIONS TO $\pm 1/16$
 HOLD ALL DECIMAL DIMENSIONS TO:
 .XX = ± 0.050
 .XXX = ± 0.010
 .XXXX = ± 0.0010

DEBURR ALL SHARP EDGES | REV. | DATE | EC.N. NO. | BY

MKS R32 CATBACK 08-09

SCALE: INTS | DATE: 9-06-16 | DWN.: AVL

APPROVAL DATE: | APPROVED BY: | SHT.: 1 OF 1

UNAUTHORIZED USE, REPRODUCTION OR
 MANUFACTURE IN WHOLE OR IN PART
 IS PROHIBITED. DRAWING, DESIGN AND
 OTHER DISCLOSURES ARE PROPERTY OF

Billy Boat Performance Exhaust
 UNIT(S) | JOB NUMBER: | DRAWING NO.
 INCH | | FPI10296