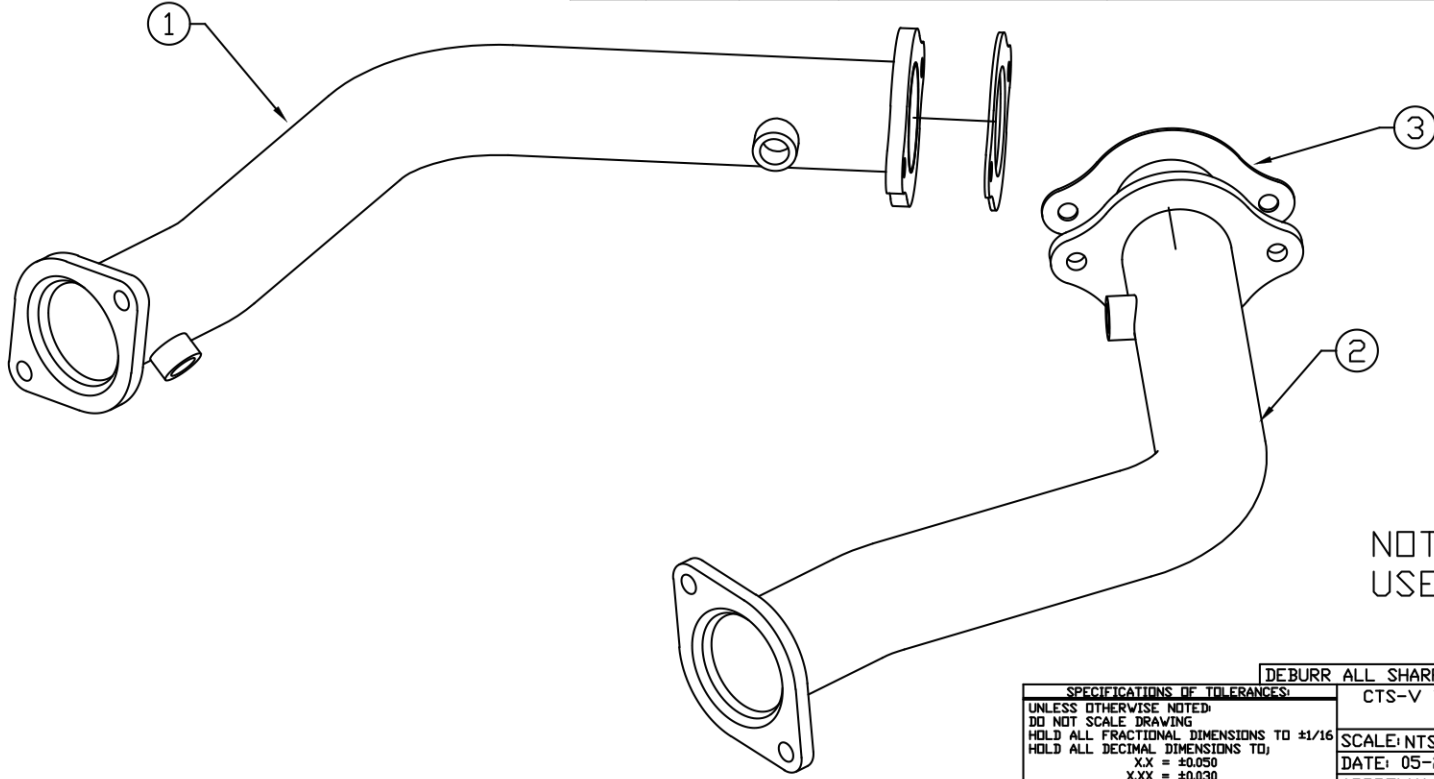


10 9 8 7 6 5 4 3 2 1

BILL OF MATERIALS

ITEM	QTY.	U/M	PACKING	ISP	INT	DESCRIPTION
1	1	EA				DRIVER SIDE CAT PIPE
2	1	EA				PASSENGER SIDE CAT PIPE
3	2	EA				HEADER SIDE GASKET
4						
5						
6						
7						
8						



NOTE: LOWER FLANGE USES FACTORY DONUT

DEBURR ALL SHARP EDGES REV. DATE E.C.N. NO. BY

SPECIFICATIONS OF TOLERANCES:
 UNLESS OTHERWISE NOTED:
 DO NOT SCALE DRAWING
 HOLD ALL FRACTIONAL DIMENSIONS TO ±1/16
 HOLD ALL DECIMAL DIMENSIONS TO:
 .XX = ±0.050
 .XXX = ±0.030
 .XXXX = ±0.010

CTS-V TEST CAT TEST PIPES 09- SEDAN/COUP
 SCALE: NTS
 DATE: 05-27-16
 APPROVAL DATE: APPROVED BY:

UNAUTHORIZED USE, REPRODUCTION OR MANUFACTURE IN WHOLE OR IN PART IS PROHIBITED. DRAWING, DESIGN AND OTHER DISCLOSURES ARE PROPERTY OF

Billy Boat Performance Exhaust

UNIT(S) INCH JOB NUMBER: DRAWING NO. FDDM0335

10 9 8 7 6 5 4 3 2 1