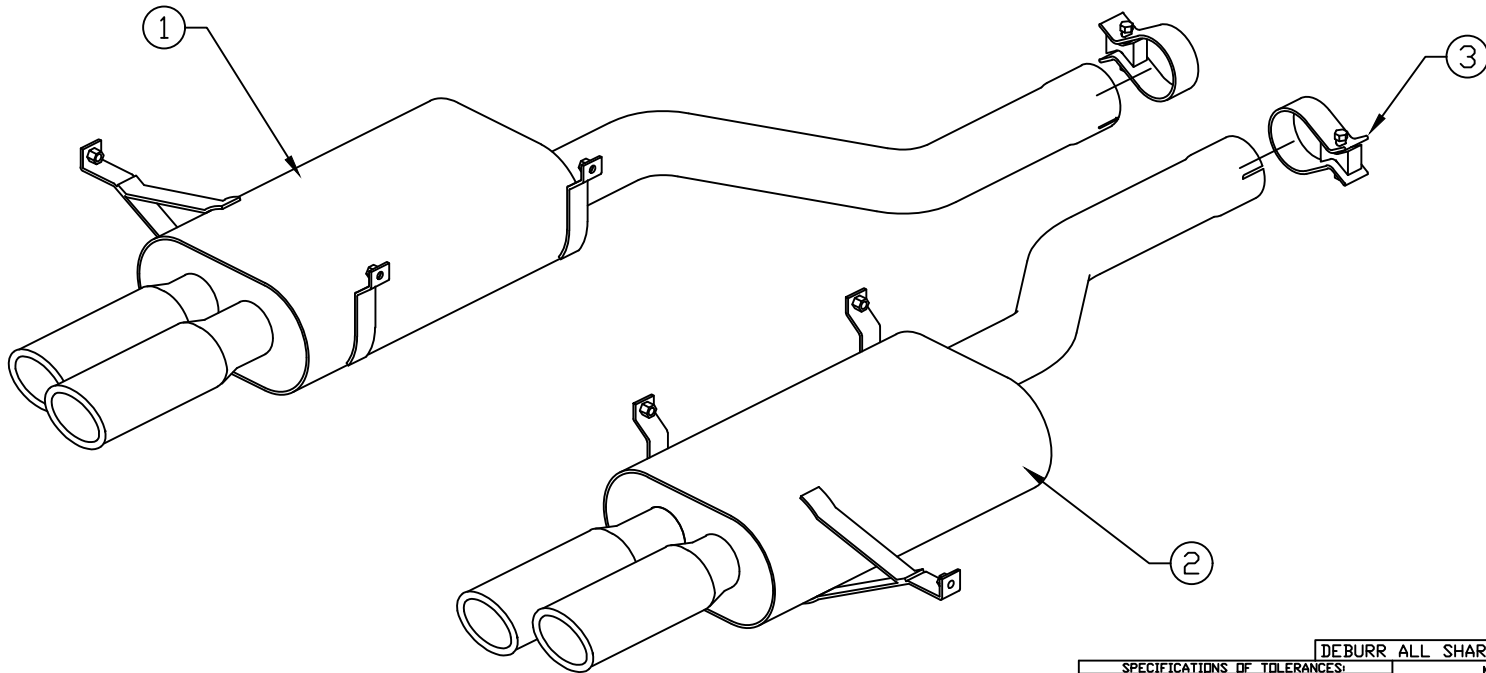


	10	9	8	7	6	5	4	3	2	1
	<b>BILL OF MATERIALS</b>									
H										
G										
F										
E										
D										
C										
B										
A										
	10	9	8	7	6	5	4	3	2	1

ITEM	QTY.	U/M	PACKING	ISP	INT	DESCRIPTION
1	1	EA				DRIVER SIDE MUFFLER SECTION
2	1	EA				PASSENGER SIDE MUFFLER SECTION
3	2	EA				CLAMP- 2.50" BAND
4						
5						
6						
7						
8						



SPECIFICATIONS OF TOLERANCES:		DEBURR ALL SHARP EDGES	REV.	DATE	E.C.N. NO.	BY
UNLESS OTHERWISE NOTED: DO NOT SCALE DRAWING HOLD ALL FRACTIONAL DIMENSIONS TO ±1/16 HOLD ALL DECIMAL DIMENSIONS TO: X.X = ±0.050 X.XX = ±0.030 X.XXX = ±0.010		M5 E39 W/ TWIN 3.5' OVAL TIPS	SCALE: NTS	DATE: 10-29-03	DWN: JJY	SHT: 1 OF 1
UNAUTHORIZED USE, REPRODUCTION OR MANUFACTURE IN WHOLE OR IN PART IS PROHIBITED. DRAWING, DESIGN AND OTHER DISCLOSURES ARE PROPERTY OF BILLY BOAT PERFORMANCE EXHAUST		APPROVAL DATE:		APPROVED BY:		
		<b>Billy Boat Performance Exhaust</b>		UNIT(S) INCH	JOB NUMBER:	DRAWING NO. FBMW1100