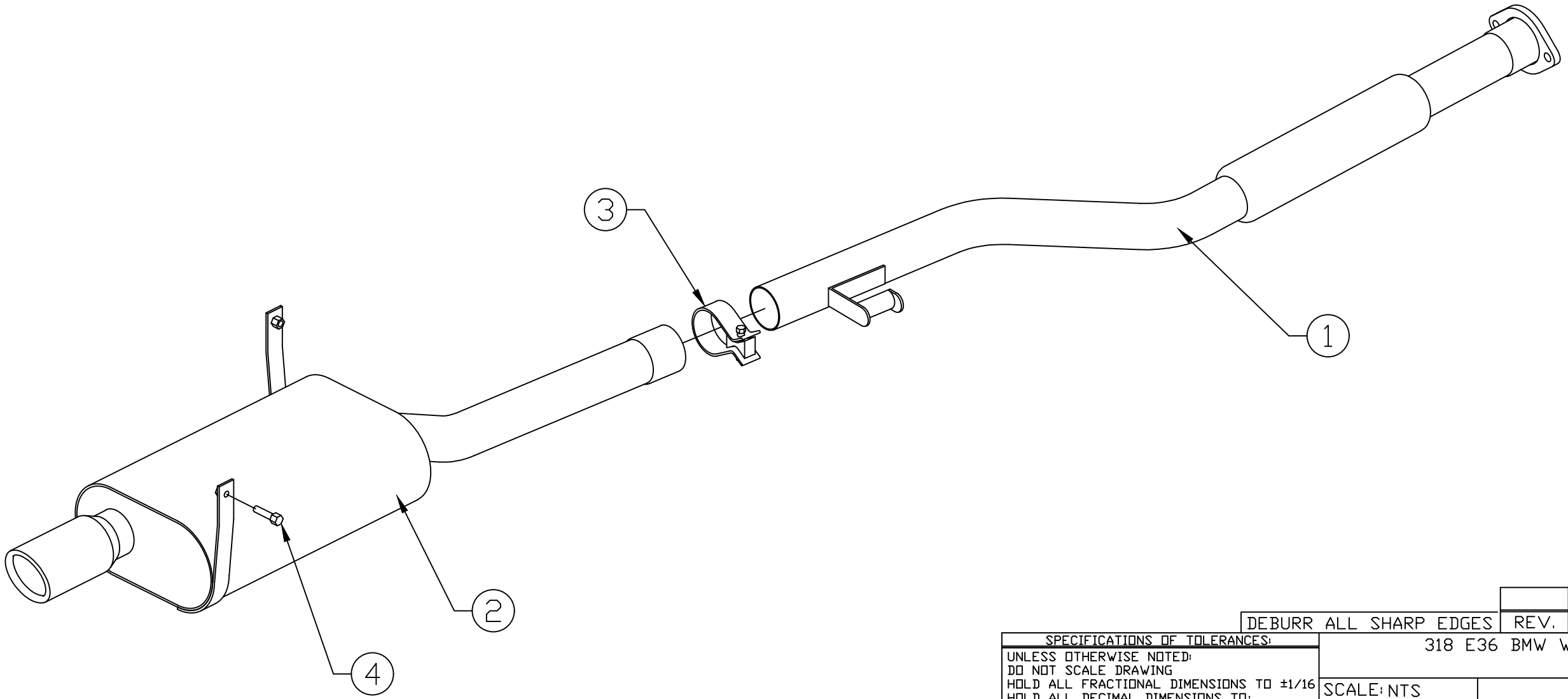


10 9 8 7 6 5 4 3 2 1

BILL OF MATERIALS

ITEM	QTY.	U/M	PACKING	ISP	INT	DESCRIPTION
1	1	EA				RESONATOR PIPE
2	1	EA				MUFFLER SECTION
3	1	EA				CLAMP- 2.25" BAND
4	2	EA				BOLT- 8MM x 1.25 x 16
5						
6						
7						
8						



DEBURR ALL SHARP EDGES	REV.	DATE	E.C.N. NO.	BY
------------------------	------	------	------------	----

SPECIFICATIONS OF TOLERANCES:  
 UNLESS OTHERWISE NOTED:  
 DO NOT SCALE DRAWING  
 HOLD ALL FRACTIONAL DIMENSIONS TO ±1/16  
 HOLD ALL DECIMAL DIMENSIONS TO:  
 X.X = ±0.050  
 X.XX = ±0.030  
 X.XXX = ±0.010

318 E36 BMW W/ SGL 3.0" TIP		
SCALE: NTS	DWN: JJY	
DATE: 11-07-03	SHT: 1 OF 1	
APPROVAL DATE:	APPROVED BY:	

UNAUTHORIZED USE, REPRODUCTION OR MANUFACTURE IN WHOLE OR IN PART IS PROHIBITED. DRAWING, DESIGN AND OTHER DISCLOSURES ARE PROPERTY OF BILLY BOAT PERFORMANCE EXHAUST

<b>Billy Boat Performance Exhaust</b>		
UNIT(S) INCH	JOB NUMBER:	DRAWING NO. FBMW0210

10 9 8 7 6 5 4 3 2 1